



### ALGEMENE KENMERKEN:

Wafer type vlinderklep

Huis in nodulair gietijzer, Rilsan gecoat (230µ ~ 300µ / C5M), klep in roestvast staal, zitting in Buna

Inbouw lengte: ISO 5752

Tussenbouw tussen flenzen DIN PN 10, DIN PN 16 en ANSI 150

Opbouw flens: ISO 5211

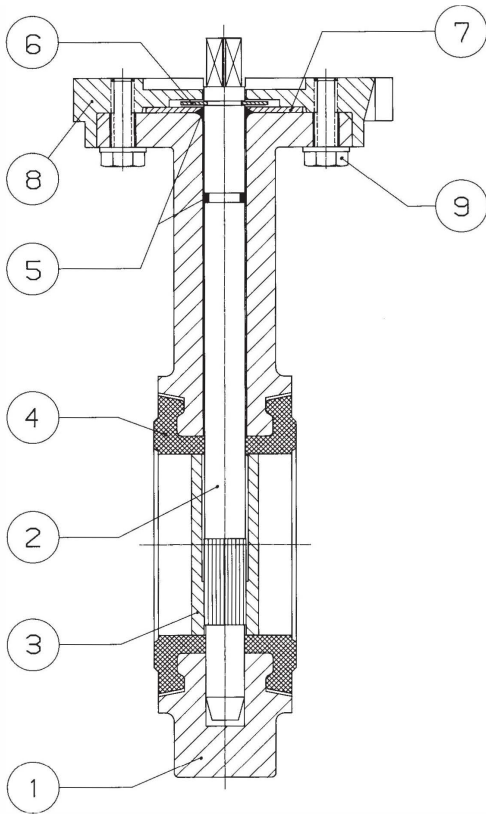
### BEDRIJFSOMSTANDIGHEDEN:

Voor drukken tot 16 bar (10 bar vanaf DN 350)

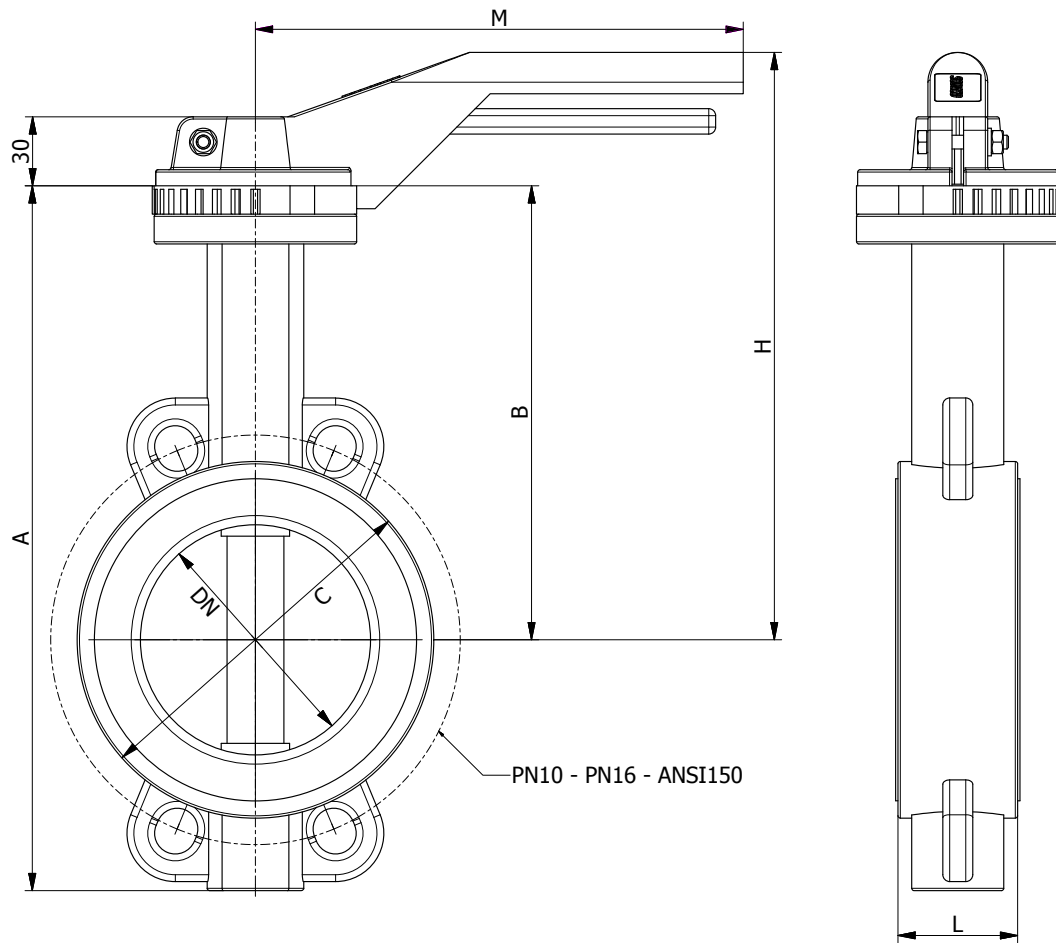
en temperaturen van -10 °C tot 90 °C



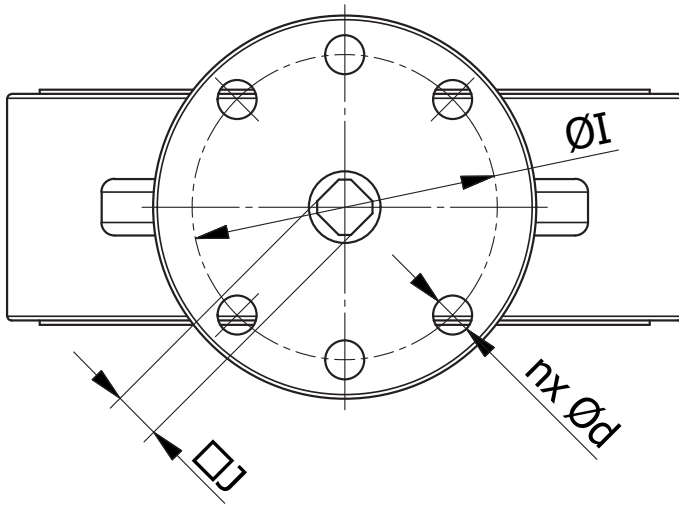
| ONTWERP                |                              |
|------------------------|------------------------------|
| Vlinderklep            | ISO 5752, API 609            |
| Volgens                | DIN 3202, API 609, BS EN 558 |
| Opbouw flens           | ISO 5211                     |
| Markering              | ISO 5209                     |
| TESTEN EN CERTIFICATEN |                              |
| PED/CE                 | 2014/68/EU                   |
| Druktest               | EN 12266-1                   |


**MATERIALEN:**

| Pos. | Omschrijving | Materialen                                     |
|------|--------------|--|
| 1    | Huis         | Nodulair gietijzer GJS-500-7                   |
| 2    | Spindel      | Roestvast staal AISI 420                       |
| 3    | Klep         | Roestvast staal AISI 316                       |
| 4    | Zitting      | Nitril rubber                                  |
| 5    | O-ring       | Nitril rubber                                  |
| 6    | Circlip      | Staal  |
| 7    | Washer       | Staal  |
| 8    | Opbouwflens  | Aluminium                                      |
| 9    | Bout         | DIN 933 5.6                                    |
| 10   | Hendel       | Aluminium (DN32 - DN 200), bout in DIN 933 5.6 |
|      |              | Gietstaal (DN250 - DN300), bout in DIN 933 5.6 |
|      |              | Vrij aseind vanaf DN350                        |

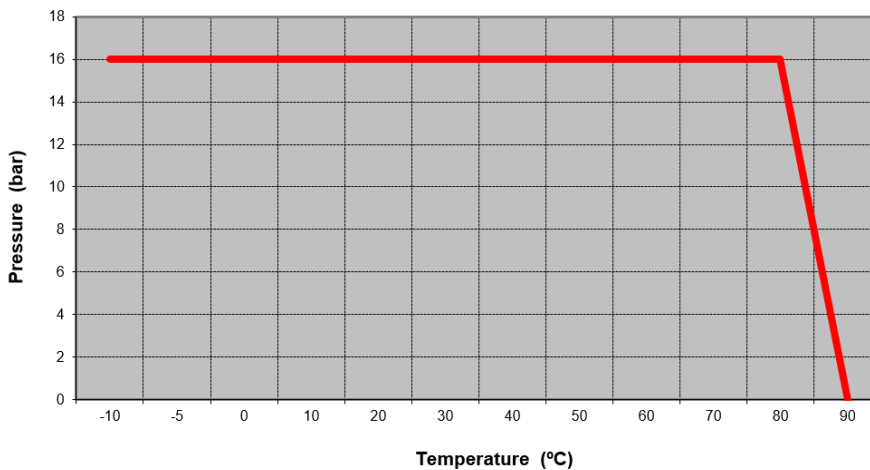

**AFMETINGEN:** (mm)

| DN  | Ø      | A   | B   | C   | L   | M   | H   | PN 10 |       | PN 16 |       | ANSI 150 |       | Kg   |
|-----|--------|-----|-----|-----|-----|-----|-----|-------|-------|-------|-------|----------|-------|------|
|     |        |     |     |     |     |     |     | K     | N x T | K     | N x T | K        | N x T |      |
| 32  | 1 1/4" | 206 | 140 | 82  | 33  | 212 | 198 | 100   | 4x 18 | 100   | 4x 18 | 88,9     | 4x 16 | 2,0  |
| 40  | 1 1/2" | 206 | 140 | 82  | 33  | 212 | 198 | 110   | 4x 18 | 110   | 4x 18 | 98,5     | 4x 16 | 2,0  |
| 50  | 2"     | 228 | 156 | 102 | 43  | 212 | 214 | 125   | 4x 18 | 125   | 4x 18 | 120,6    | 4x 19 | 3,5  |
| 65  | 2 1/2" | 248 | 161 | 119 | 46  | 212 | 219 | 145   | 4x 18 | 145   | 4x 18 | 139,7    | 4x 19 | 4,5  |
| 80  | 3"     | 265 | 169 | 135 | 46  | 212 | 229 | 160   | 4x 18 | 160   | 4x 18 | 152,4    | 4x 19 | 5,0  |
| 100 | 4"     | 298 | 187 | 155 | 52  | 212 | 241 | 180   | 4x 18 | 180   | 4x 18 | 190,5    | 4x 19 | 6,5  |
| 125 | 5"     | 331 | 206 | 185 | 56  | 329 | 279 | 210   | 4x 18 | 210   | 4x 18 | 215,9    | 4x 23 | 8,0  |
| 150 | 6"     | 349 | 215 | 208 | 56  | 329 | 287 | 240   | 4x 23 | 240   | 4x 23 | 241,3    | 4x 23 | 9,0  |
| 200 | 8"     | 430 | 255 | 270 | 60  | 329 | 327 | 295   | 4x 23 | 295   | 4x 23 | 298,5    | 4x 23 | 15,0 |
| 250 | 10"    | 461 | 248 | 328 | 68  | 610 | 290 | 350   | 4x 23 | 355   | 4x 27 | 362,0    | 4x 26 | 21,5 |
| 300 | 12"    | 524 | 280 | 381 | 78  | 610 | 325 | 400   | 4x 23 | 410   | 4x 27 | 431,8    | 4x 26 | 30,0 |
| 350 | 14"    | 570 | 300 | 437 | 78  | -   | -   | 460   | 4x 23 | 470   | 4x 27 | 476,3    | 4x 29 | 39,0 |
| 400 | 16"    | 644 | 340 | 486 | 102 | -   | -   | 515   | 4x 27 | 525   | 4x 30 | 539,8    | 4x 29 | 52,0 |



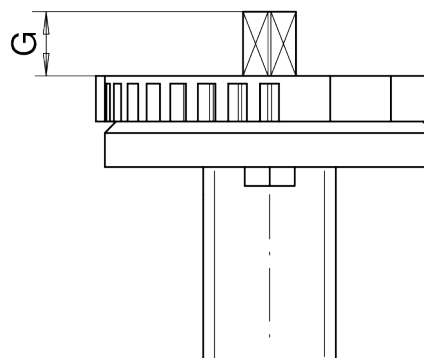
| DN  | Ø      | ØI  | nx Ød | J  | ISO5211   |
|-----|--------|-----|-------|----|-----------|
| 32  | 1 1/4" | 70  | 4x 9  | 8  | F05 / F07 |
| 40  | 1 1/2" | 70  | 4x 9  | 8  | F05 / F07 |
| 50  | 2"     | 70  | 4x 9  | 8  | F05 / F07 |
| 65  | 2 1/2" | 70  | 4x 9  | 9  | F05 / F07 |
| 80  | 3"     | 70  | 4x 9  | 11 | F05 / F07 |
| 100 | 4"     | 70  | 4x 9  | 11 | F05 / F07 |
| 125 | 5"     | 70  | 4x 9  | 14 | F07       |
| 150 | 6"     | 70  | 4x 9  | 14 | F07       |
| 200 | 8"     | 70  | 4x 9  | 17 | F07       |
| 250 | 10"    | 102 | 4x 11 | 19 | F10       |
| 300 | 12"    | 102 | 4x 11 | 22 | F10       |
| 350 | 14"    | 140 | 4x 18 | 22 | F14       |
| 400 | 16"    | 140 | 4x 18 | 27 | F14       |

### DRUK - TEMPERAATUUR:



### Kv-WAARDEN, LOSBREEKMOMENT:

| DN  | Ø      | Kv (m³/h) | T (Nm) 16 bar |
|-----|--------|-----------|---------------|
| 32  | 1 1/4" | 70        | 9             |
| 40  | 1 1/2" | 70        | 9             |
| 50  | 2"     | 111       | 11            |
| 65  | 2 1/2" | 201       | 20            |
| 80  | 3"     | 335       | 29            |
| 100 | 4"     | 552       | 47            |
| 125 | 5"     | 901       | 82            |
| 150 | 6"     | 1427      | 130           |
| 200 | 8"     | 2392      | 210           |
| 250 | 10"    | 3826      | 360           |
| 300 | 12"    | 5660      | 475           |
| 350 | 14"    | 8179      | 760           |
| 400 | 16"    | 10660     | 1300          |



### HOOGTE VRIJE AS:

| DN  | G  |
|-----|----|
| 32  | 14 |
| 40  | 14 |
| 50  | 14 |
| 65  | 16 |
| 80  | 16 |
| 100 | 20 |
| 125 | 20 |
| 150 | 20 |
| 200 | 24 |
| 250 | 24 |
| 300 | 24 |
| 350 | 29 |
| 400 | 29 |

De aangeduide waarden zijn geldig voor water bij omgevingstemperatuur